

Low-Profile Single Point



DESCRIPTION

LPS is designed for electronic scales and platform scales where only one load cell can be used and low profile is required. It is the lightest model of Celtron single point load cell family. The design is most suitable for mass production operations.

LPS is constructed of anodized aluminum and is fully potted IP66 levels, providing excellent protection against moisture ingress.

FEATURES

- Capacities: 0.6 to 200kg
- Small size with low profile
- Anodized aluminum
- NTEP Class III 5000S approval from 3kg to 30kg
- OIML C3 approval
- Platform size: 16"x16"/ 40cm x 40cm

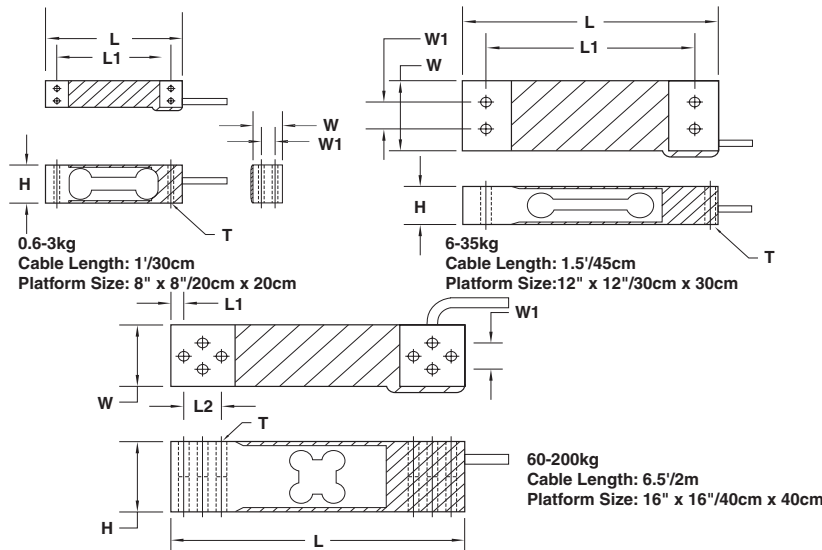
OPTIONAL FEATURE

- FM approval available

APPLICATIONS

- Packaging machines
- Dosing/filling
- Belt scales/conveyor scales
- In-motion check weigher
- Retail scales/counting scales

OUTLINE DIMENSIONS



Wiring diagram

- + Excitation Red
- Excitation Black
- + Signal Green
- Signal White

CAPACITY (kg)		L	L1	L2	W	W1	H	T
0.6/1/2/3	mm	70.0	58.0	---	15.0	7.0	22.0	M3 x 0.5
	(inch)	2.76	2.28	---	0.59	0.28	0.87	
6/10/15/20	mm	130.0	106.0	---	30.0	15.0	22.0	M6 x 1.0
	(inch)	5.12	4.17	---	1.18	0.59	0.87	
30/35	mm	130.0	106.0	---	40.0	15.0	22.0	M6 x 1.0
	(inch)	5.12	4.17	---	1.57	0.59	0.87	
60/100/200	mm	150.0	7.0	19.0	35.0	15.0	40.0	M6 x 1.0
	(inch)	5.91	0.28	0.75	1.38	0.59	1.57	

SPECIFICATIONS				
PARAMETER	VALUE			UNIT
NTEP/OIML Accuracy class	NTEP III	Non-Approved	C3	
Maximum no. of intervals (n)	5000 single ⁽¹⁾	1000	3000 ⁽²⁾	
$Y = E_{max}/V_{min}$	8000	1400	6000	Maximum available 12000
Standard capacities (E_{max})	0.6, 1, 2, 3, 6, 10, 15, 20, 30, 35, 60, 100, 200			kg
Rated output-R.O.	2.0 ⁽³⁾			mV/V
Rated output tolerance	10			±% of rated output
Zero balance	3			±% of rated output
Non linearity	0.025	0.030	0.020	±% of rated output
Hysteresis	0.025	0.030	0.020	±% of rated output
Non-repeatability	0.020			±% of rated output
Creep error (20 minutes)	0.030	0.030	0.017	±% of rated output
Zero return (20 minutes)	0.030	0.030	0.017	±% of rated output
Temperature effect on min. dead load output	0.0026	0.0026	0.014	±% of rated output/°C
Temperature effect on sensitivity	0.0015	0.0015	0.008	±% of applied load/°C
Compensated temperature range	-10 to +40			°C
Operating temperature range	-20 to +60			°C
Safe overload	150			% of R.C.
Ultimate overload	200			% of R.C.
Excitation, recommended	10			Vdc or Vac rms
Excitation, maximum	15			Vdc or Vac rms
Input impedance	410±10			Ohms
Output impedance	350±3			Ohms
Insulation resistance	>5000			Mega-Ohms
Construction	Anodized aluminum			
Environmental protection	IP66			

Notes

- ⁽¹⁾ Capacities 3-30kg
⁽²⁾ Capacities 6-35kg
⁽³⁾ 1mV/V for 1kg and below

All Specifications subject to change without notice.

FM Approval

Intrinsically Safe: Class I, II, III; Div. 1 Groups A-G
 Non-Incendive: Class I; Div. 2 Groups A-D

Disclaimer

All product specifications and data are subject to change without notice.

Vishay Precision Group, Inc., its affiliates, agents, and employees, and all persons acting on its or their behalf (collectively, "Vishay Precision Group"), disclaim any and all liability for any errors, inaccuracies or incompleteness contained herein or in any other disclosure relating to any product.

Vishay Precision Group disclaims any and all liability arising out of the use or application of any product described herein or of any information provided herein to the maximum extent permitted by law. The product specifications do not expand or otherwise modify Vishay Precision Group's terms and conditions of purchase, including but not limited to the warranty expressed therein, which apply to these products.

No license, express or implied, by estoppel or otherwise, to any intellectual property rights is granted by this document or by any conduct of Vishay Precision Group.

The products shown herein are not designed for use in medical, life-saving, or life-sustaining applications unless otherwise expressly indicated. Customers using or selling Vishay Precision Group products not expressly indicated for use in such applications do so entirely at their own risk and agree to fully indemnify Vishay Precision Group for any damages arising or resulting from such use or sale. Please contact authorized Vishay Precision Group personnel to obtain written terms and conditions regarding products designed for such applications.

Product names and markings noted herein may be trademarks of their respective owners.